

GENULUX

THE WALL-INTEGRATED
SLIDING DOOR

with a frameless look



20
years

AGS-SYSTEMS

Functionality & Design

For over two decades, AGS-systems has been setting benchmarks in flush-to-wall system solutions for contemporary living spaces.

As a trusted partner to architects, planners, and installers, we develop technically advanced solutions that reduce architecture to its essence while meeting the highest functional and aesthetic standards.

Our product portfolio ranges from flush door frames and skirting boards to shadow gap profiles and wall-integrated sliding door systems with a frameless appearance.



GENULUX. One Solution. Endless Advantages.

Optional LED System



For an even warmer living atmosphere, GENULUX offers the option of integrating an LED strip directly along the door edge.

Optional Push-to-Open

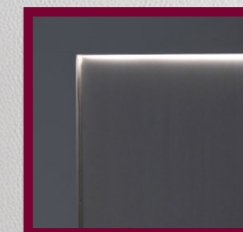


The optional push-to-open function with integrated soft-close mechanism ensures maximum convenience when opening and closing.



Pre-assembled and removable Track System

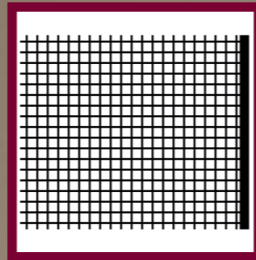
The complete track system, including hydraulic soft-close dampers and ball-bearing rollers, comes pre-assembled and ready for installation with door panels of 40–44 mm thickness. This guarantees fast and straightforward installation. The track remains fully accessible and can be removed at any time for maintenance or servicing — without structural intervention.



Optimized Light Sealing

The height-adjustable door panel reduces light transmission to a minimum. The result: maximum light blocking for enhanced privacy.

Patented Plaster Mesh Connection prevents Hairline



The factory-supplied, click-in plaster mesh effectively prevents stress cracks. A detail that reflects visible quality and ensures maximum flexibility, even for customized solutions.

Universally Applicable: Drywall & Solid Construction

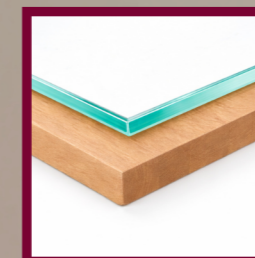


GENULUX is universally applicable. Whether masonry or drywall construction, the system covers both applications. This eliminates duplicate inventory and differing product specifications.



Patented Hawa Hardware

A crucial detail lies within the running system: The integrated HawaPorta system, with a load capacity of 100 kg and precision ball-bearing rollers, ensures smooth and exceptionally quiet door movement. The standard hydraulic soft-close system can be complemented with the Porta Push-to-Open function (for clear opening widths of ≥ 730 mm).



Wood or Glass

Whether wooden door or full-glass panel — the choice is yours.

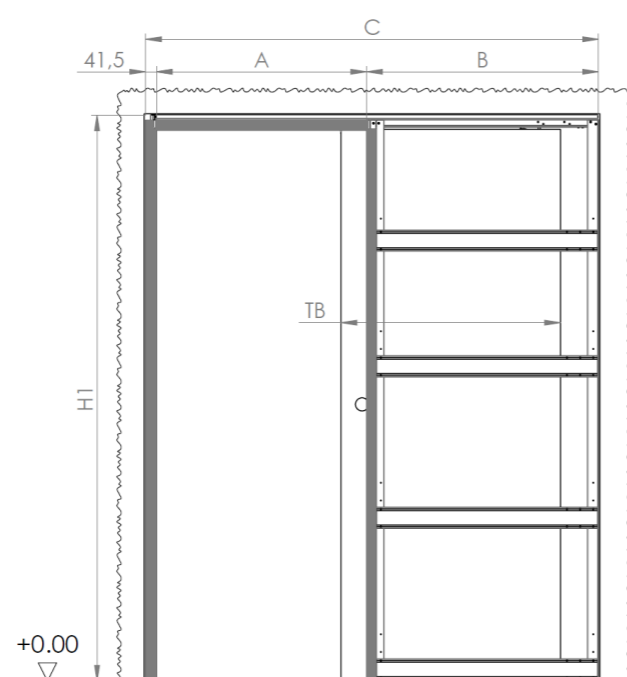
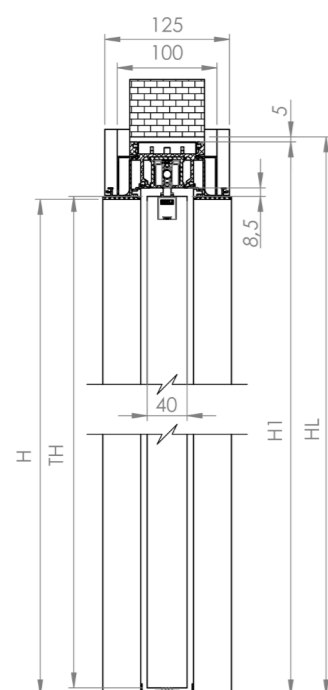
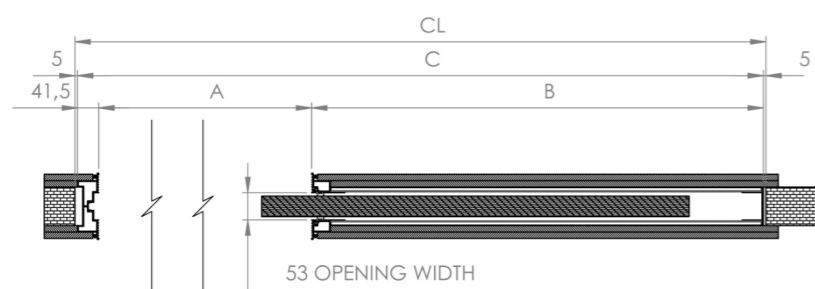
GENULUX remains fully flexible and can also accommodate the HawaPorta 100 G glass set as an option. Retrofitting after installation is no issue.

GENULUX. Uncompromisingly invisible design.

TECHNICAL DATA

Product Features

- suitable for wooden and full-glas doors
- Wall thickness:
 - 100 mm (single plasterboard cladding)
 - 125 mm (double plasterboard cladding)
- Door leaf thickness:
 - 40-44 mm for wood
 - 8-12,7 mm for full glass
- Optional accessories:
 - Push-to-Open
 - Glass set
- Pre-assembled in the running track:
 - Ball-bearing running rollers Hawa Porta 100
 - 2 hydraulic soft-closing dampers Hawa Porta 100
- Invisible floor guide with Hawa roller
- Fabric mesh to prevent hairline cracks
- Special tool for lifting the door leaf
- For drywall construction
- For solid construction (plaster carrier board provided on site)
- Suitable for door leaves between 40–44 mm thickness



Dimension tables

Clear opening width

A	700	800	900
B	783	883	983
C	1524	1724	1924
CL	1534	1734	1934
TB	735	835	935

H	H1	HL	TH
2000	2058	2063	1994
2100	2158	2163	2094
2400	2458	2463	2394

Door leaf dimension

TB	735	860	985
A	700	825	950
B	783	908	1033
C	1524	1774	2024
CL	1534	1784	2034

TH	H1	H	HL
1985	2049	1991	2054
2110	2174	2116	2179
2235	2299	2241	2304

Other sizes available on request.

all dimensions in mm





AGS-systems Srl | GmbH

Stava | Staben 47B – 39025 Naturno | Naturns (BZ) Italy – Tel. +39 0473 666376
info@ags-systems.com – www.ags-systems.info